

Kylin[®]

Kylin Electric Heated Lunch Box
with Egg Steamer
AU-K6914



12/11 Mary Street, Blackburn, Australia, VIC 3130
www.kylinaustralia.com.au

Kylin[®]

www.kylinaustralia.com.au
Phone Australia 03 9988 3693

Please read the user manual carefully and keep it
handy for future reference before using the product.

Contents

I.Safety Precautions-----	2
II.Performance and Characteristics-----	3
III.Key Technical Parameters-----	3
IV.Parts Identification-----	4
V.Function of Use-----	6
VI.Cleaning and Maintaining-----	11
VII.Cooking Time and Water Quantity Reference Chart-----	12
VIII.Troubleshooting-----	13
IX.Chinese Manual 中文說明 -----	14
X.12 Month Warranty-----	26

I. Safety Precautions

- 1.This product is intended for household use only. Please refer to the instruction manual for proper usage.
- 2.Before using this product, carefully read the instruction manual and follow all safety warnings and guidelines to prevent accidents or product damage.
- 3.Before using this product, ensure that your power outlet is capable of handling 220V-240V.
- 4.Prior to using the product's features, make sure to remove all packaging materials. These materials are not toys and could pose a choking hazard to children. Keep all packaging materials away from children.
- 5.Keep this product and its power cord out of reach of children under fourteen years old. If children intend to use it, they must be accompanied by an adult guardian or an individual over fourteen who has read and understands how to use the product safely. Otherwise, children are not permitted to operate or clean the product independently.
- 6.Please note that this product is not intended for children's play and should not be considered a toy.
- 7.When using this product, ensure that an adult is nearby to ensure safety.
- 8.Anyone with decreased physical, sensory, or mental capabilities, lack of experience, or knowledge can use this product as long as they are supervised or instructed on safe use of the device and are aware of its hazards.
- 9.Before operating the product, ensure that all parts are intact and undamaged.
- 10.Do not operate or come into contact with this product when your hands are wet or if you are standing on a wet surface while the product is powered.
- 11.When in use, please ensure it is placed on a flat and dry surface.
- 12.Please use this product on a dry and even tabletop surface.
- 13.Do not place this product in high-temperature environments or near open flames or other hazardous areas.
- 14.Do not use external timers or independent remote control systems to operate this product.
- 15.Do not pinch, twist, or place the power cord near sharp objects to avoid damaging the power cord.
- 16.When using, make sure to use the accessories and components provided by the manufacturer and avoid using non-original accessories or other attachments to prevent product damage or potential hazards.
- 17.Before assembling, disassembling, or cleaning the product, make sure to disconnect the product from the power source.
- 18.When using this product, ensure it is at least 30 centimeters away from the wall.
- 19.Please keep flammable and combustible material away from this product when in use.
- 20.After use, make sure to unplug the product's power cord to completely disconnect it from the power source.

21. After the product boils and automatically turns off the power, if the device does not shut off automatically, please add water or immediately unplug the product's power plug.
22. To prevent dry heating, if the water level in the water pot is too low, please add an appropriate amount of water in a timely manner.
23. Avoid contact with the heating elements to prevent burns. Please be mindful of the temperature.
24. This product is equipped with an overheat protection function. After use, the product needs approximately 5 minutes to cool down. During the cooling process, the indicator light will turn off.
25. This product does not have a power switch. Once connected to the power supply, the product will start automatically. After use, please unplug the power plug.
26. Do not use this product on carpets, plastic, or non-heat-resistant surfaces.
27. Ensure the device is cleaned after use and stored in a cool and dry place.
28. If you find any damaged parts of the product, please contact KYLIN or your local authorized sales and service center for repair or handling to prevent potential hazards.
29. Do not immerse the motor components, plug, or wires in water or any other liquids.
30. When using this product, please operate it indoors and do not use it outdoors.

II. Performance and Characteristics

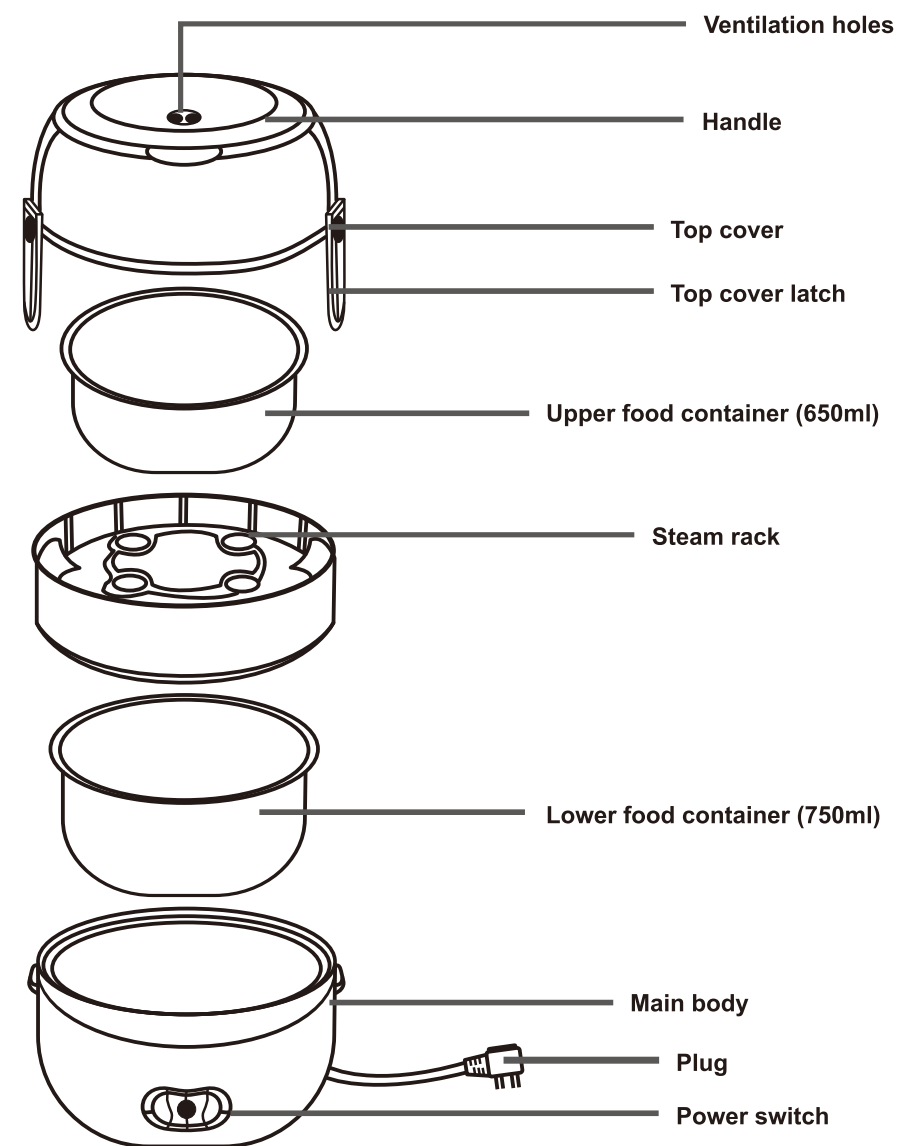
1. Features a stylish design, showcasing exquisite craftsmanship.
2. User-friendly operation provides a convenient and efficient user experience.
3. Equipped with overheat protection function to ensure safety during use.
4. Allows you to enjoy warm and delicious food anytime, anywhere.

III. Key Technical Parameters

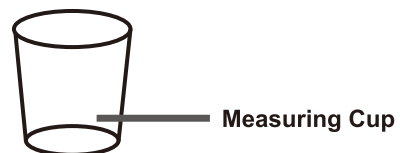
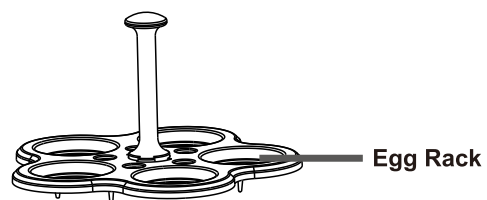
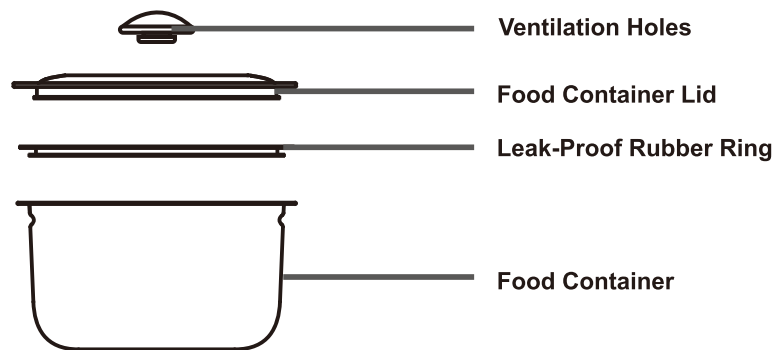
Product Name	Kylin Electric Heated Lunch Box with Egg Steamer
Product Model	AU-K6803
Rated Voltage	220V-240V 50-60Hz
Rated Power	270W
Power Adapter Rated Output	5V---1A
Capacity	1400 ml
Product Dimension	102mm x 102mm x 124mm

IV. Parts Identification

A. Main Parts



B.Product Accessories

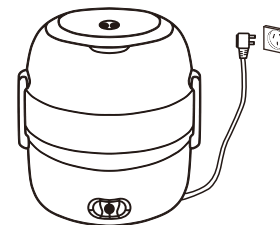


Warm Tips:

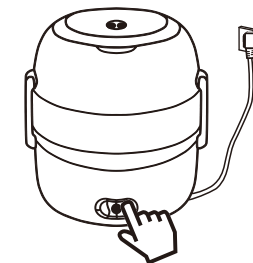
Please remove the lid of the food container before heating, and then proceed with the heating process.

V.Function of Use

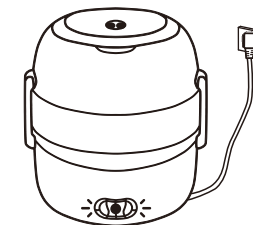
1.Basic Operation Instructions for the Product



① Connect the plug to the power socket



② Gently press the power switch.



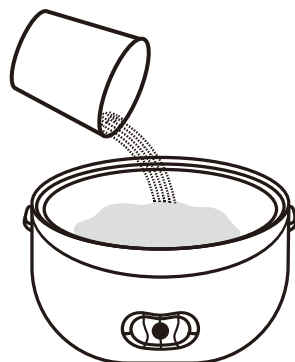
③ Verify that the indicator light is on, indicating that the power is activated.

Warm Tips:

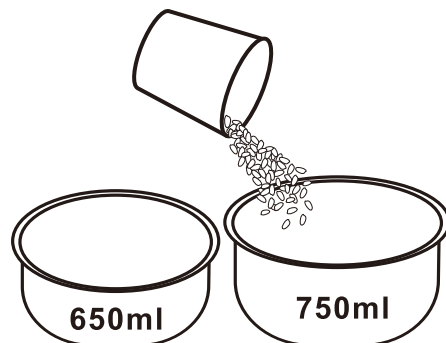
When the water in the base of the appliance evaporates to a certain level, the product will automatically shut off. The indicator light will turn off, indicating that cooking is complete. You can enjoy your meal or add water as needed to prevent dry burning.

2. Cooking Function Operation Instructions

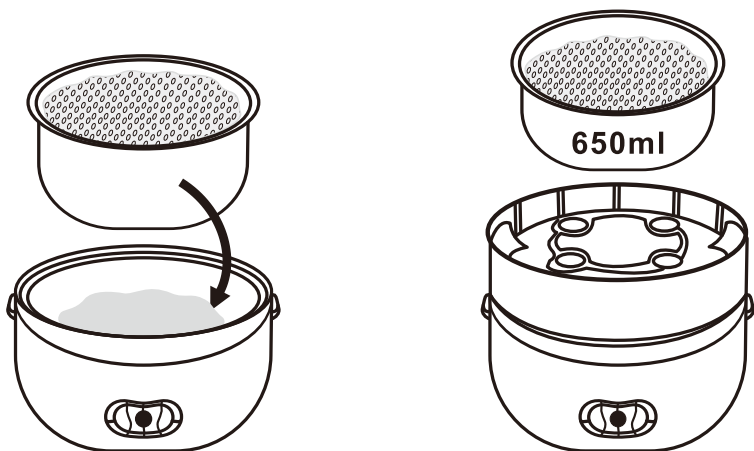
A). Rice/Cooked Food



- ① Please use the provided measuring cup to pour an appropriate amount of water into the base of the main unit. (Refer to the cooking guide for water levels and cooking times.)

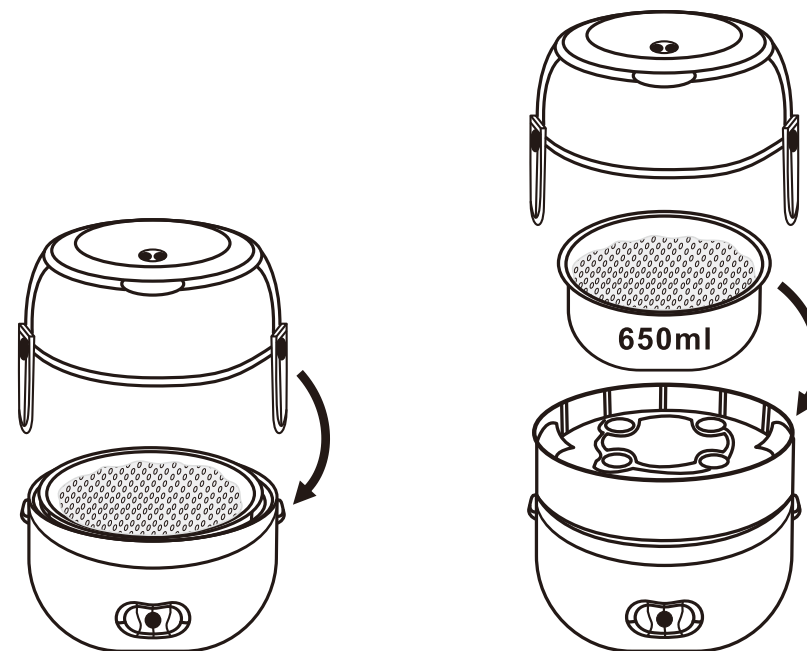


- ② Place the rice or ingredients into the food container. (Please remove the sealing lid from the food container first.)

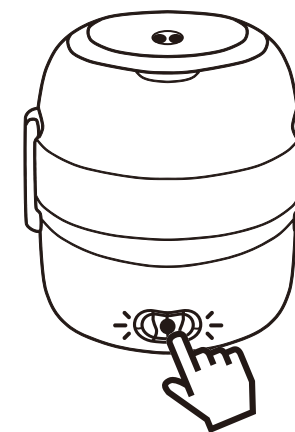


- ③ If using two food containers simultaneously, place the 750ml food container at the bottom and the 650ml food container on the steaming tray. Then insert the food containers into the main unit.

7



- ④ Cover with the top lid and securely fasten.



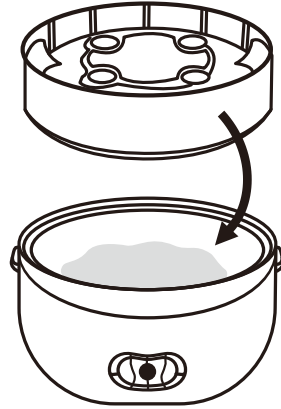
- ⑤ Press the power switch, and when the light comes on, it indicates that the product has started operating.

8

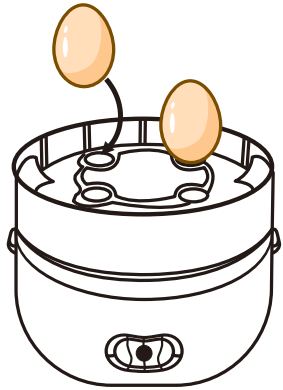
B).Egg Steaming



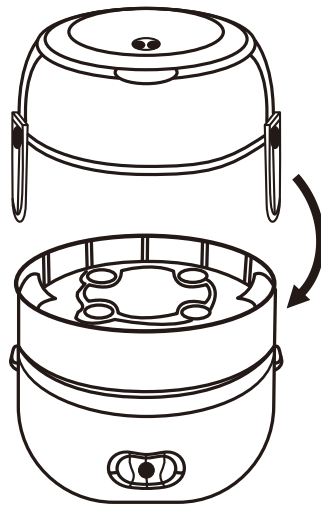
- ① Please use the provided measuring cup to pour the appropriate amount of water into the base of the appliance. (For information regarding water levels and cooking times, please refer to the cooking guide.)



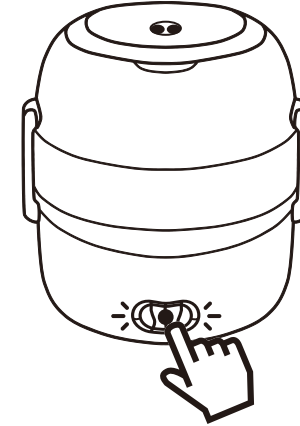
- ② Place the steaming rack on top of the appliance, ensuring the egg tray is facing upwards.



- ③ Place the eggs on the egg tray and position the tray over the four circles.



- ④ Cover with the top lid and make sure it's securely fastened.



- ⑤ Press the power switch, and when the light comes on, it indicates that the product has started operating.

C).Food Container Usage Instructions

Due to the high sealing and vacuum effect of the food container, please take note of the following points during usage:



- ① Before use, please press the "PUSH" button to open the ventilation hole, and then proceed to lift the lid of the rice container.



- ② After placing the food into the rice container, cover it with the lid, and then close the ventilation hole.

VI. Cleaning and Maintaining

1. After using this product, be sure to unplug the power cord.
2. When cleaning the food container, lid, and food tray, avoid using a hard-bristle brush to prevent surface scratches.
3. Do not immerse the main unit in water or any other liquids, and avoid using tap water for rinsing. Use a damp cloth to clean the exterior of the main unit.
4. If the product will not be used for an extended period, clean it thoroughly and store it in a dry place.
5. The food container is made of SUS304 stainless steel. After multiple uses, slight oxidation or minor rust spots may appear on the surface. This is a normal occurrence. You can clean the food container with white vinegar and rinse thoroughly.
6. The food container (excluding the food lid) is dishwasher safe. However, please avoid placing other components of this product in the dishwasher.



7. When the product is not in use for an extended period, clean it thoroughly and store it in the packaging box. Store it in a well-ventilated, dry place to prevent moisture and ensure optimal performance.

VII. Cooking Time and Water Quantity Reference Chart

	Reheat Cold Dishes	Cook Rice	Boil Eggs	Fish	Meat	Vegetables
Ingredient Quantity	Fill the food container	170g (Rice)	4 Eggs	130g	100g	80g
Water for Filling with Ingredient (ml)	N/A	260ml	N/A	N/A	N/A	N/A
Water for Product Cooking (ml)	80ml	160ml	40ml	260ml	260ml	260ml
Cooking Time	20-30 mins	30-40 mins	15 mins	25 mins	25 mins	25 mins
Note		After cooking is complete, please wait for the indicator light to turn off, then open the food container and let it sit for 10 minutes.				Cabbage

Warm Tips:

When heating or cooking rice dishes, be sure to remove the food lid. Use either the top lid or the lid of the food container for cooking. For simmering eggs, it is recommended to use the top lid.

VIII. Troubleshooting

1. When the indicator light does not illuminate, the following situations might occur. Please refer to the corresponding solutions based on the following reasons:

- 1) Verify if there is power supply.
- 2) Confirm that the power outlet is receiving normal electricity.
- 3) Make sure the power switch has been pressed.
- 4) If the water has evaporated and the appliance is in the overheat protection mode.

2. When the food is overcooked or undercooked, the following situations might arise. Please apply the appropriate solutions based on the following reasons:

- 1) If there is excessive water in the product's base, reduce the amount of water.
- 2) If there is insufficient water in the product's base, add more water.
- 3) If there is scale buildup on the heating plate, perform cleaning.

目錄

一、注意事項-----	15
二、產品性能特點-----	16
三、主要技術參數-----	16
四、部件名稱介紹-----	17
五、產品使用方法-----	19
六、保養和維護-----	23
七、烹煮時間水量參考表-----	24
八、常見問題分析-----	25

一、注意事項

- 1.本產品僅適用於家庭使用，請務必參照說明書指引使用。
- 2.在使用本產品之前，請仔細閱讀本產品說明書並遵循所有的安全警告與指引，以免引發任何意外或導致產品損壞。
- 3.在使用本產品之前，請確保您的電源插座能夠處理220V-240V。
- 4.在使用產品功能前，請務必將所有包裝物料移除。這些包裝物料並非玩具，可能對兒童造成窒息的危險。請確保所有包裝物料遠離兒童。
- 5.請將本產品及其電源線放在十四歲以下兒童無法觸及的地方。若孩童欲使用，必須在監護人或已滿十四歲並閱讀過本指南且瞭解如何安全使用的成人陪同下方可使用，否則孩童不得自行操作或清潔本產品。
- 6.請注意，本產品不適用於兒童玩耍，切勿將其視為玩具。
- 7.在使用本產品時，請確保附近有成年人在場，以確保安全。
- 8.任何人都可以在身體、感官或精神能力下降或缺乏經驗和知識的情況下使用本產品，只要他們得到了關於以安全方式使用該設備的監督或指導，並了解其中的危險性。
- 9.在操作產品前，請確保所有零件完整無缺或損壞。
- 10.產品通電時，請勿在手濕潤或站在濕地板上操作或接觸本產品。
- 11.使用時，請確保放置在平坦且乾燥的表面上。
- 12.請務必在乾燥、平整的表平面上使用本產品。
- 13.請勿將本產品置於高溫環境，或靠近明火等危險地方。
- 14.請勿使用外部計時器或獨立遙控系統操作本產品。
- 15.請勿將電源線擠壓、扭曲或靠近尖銳物品，以免造成電源線損壞。
- 16.使用時，請務必使用出廠提供的配件及產品零件，切勿使用非原廠配件或其他附屬品，以免導致產品損壞或發生危險。
- 17.在進行組裝、拆卸或清潔產品之前，請務必先拔除產品與電源之間的連接。
- 18.使用本產品時，請確保與牆面保持至少30釐米的距離。
- 19.在使用本產品時，請遠離易燃物品及可燃性物質。
- 20.使用完畢請務必拔除產品電源線插頭，以完全切斷產品與電源的連接。
- 21.產品煮沸並自動關閉電源後，若裝置未自動關閉，請加水或立即拔除產品電源插頭。
- 22.以免乾燒，若水煲中水量過低，請及時添加適量水。

- 23.請避免接觸發熱部分，以免燙傷。請注意溫度。
- 24.本產品設有過熱保護功能。在使用後約5分鐘，產品需要冷卻。在冷卻過程中，指示燈將熄滅。
- 25.本產品無開關鍵。連接電源後，產品將自動啟動。使用完畢後，請拔除電源插頭。
- 26.請勿在地毯、塑膠或不耐熱的表面上使用本產品。
- 27.請確保設備在使用後清潔並儲存在陰涼乾燥的地方。
- 28.如發現產品零件有受損情況，請務必與KYLIN公司或當地代理行銷服務門市聯繫，進行維修或處理，以防發生危險
- 29.請不要將電機部件、插頭或電線浸泡在水中或任何其他液體中。
- 30.使用本產品時，務必在室內操作，切勿於室外使用。

二、產品性能特點

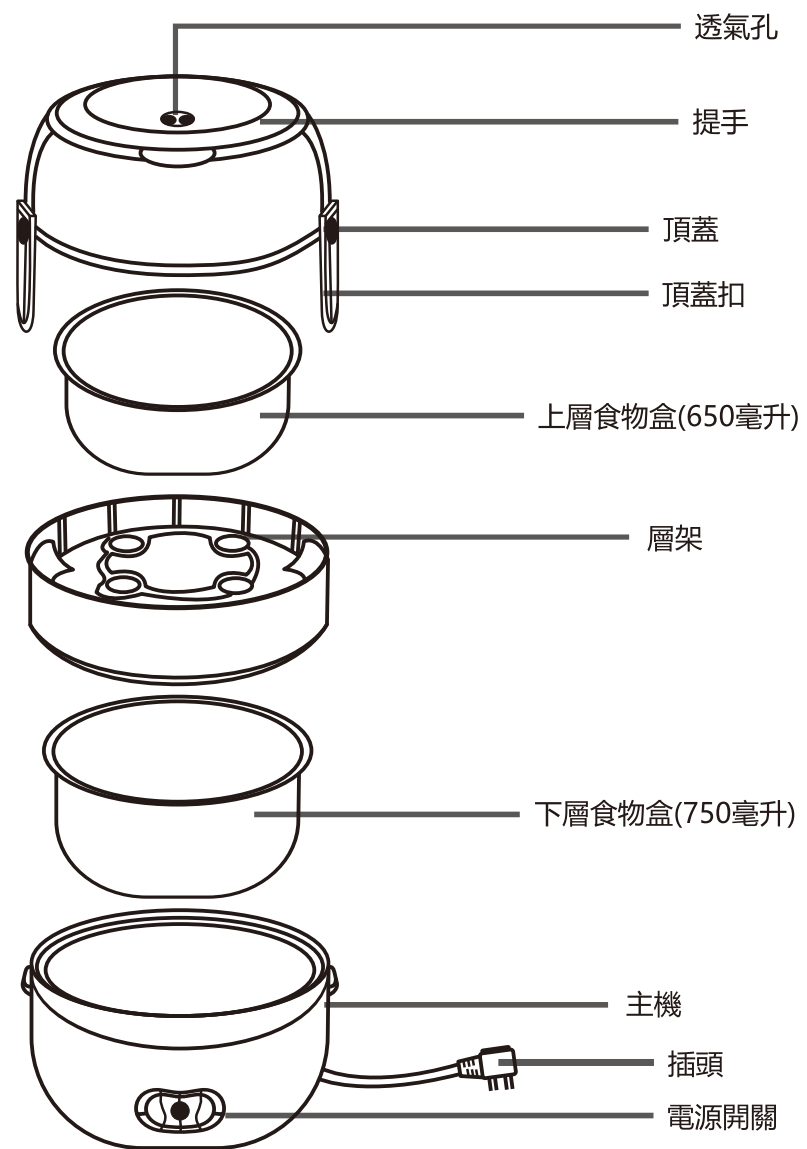
- 1.具有時尚外觀，展現精緻工藝。
- 2.操作簡便，提供方便快捷的使用體驗。
- 3.配備防過熱保護功能，確保使用安全。
- 4.讓您能夠隨時隨地享受溫熱美味的食物。

三、主要技術參數

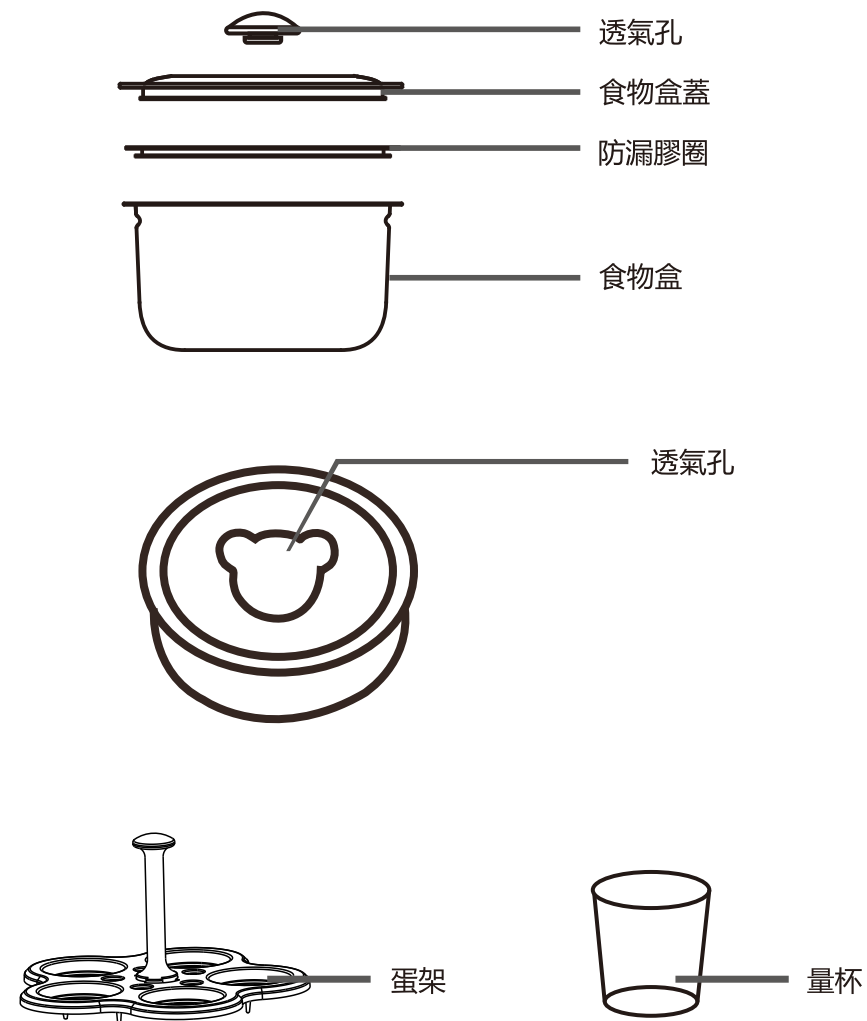
產品名稱	Kylin 麒麟電加熱飯盒
產品型號	AU-K6803
額定電壓	220V-240V 50-60Hz
額定功率	270W
電原適配器額定輸出	5V---1A
容量	1400 ml
產品尺寸	102mm x 102mm x 124mm

四、部件名稱介紹

1. 主要部件



2. 產品配件

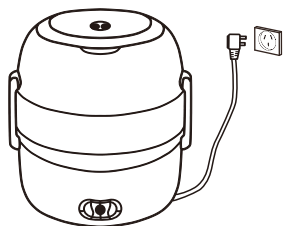


溫馨小貼士:

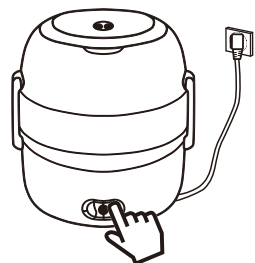
請加熱時取出食物盒蓋，再進行加熱。

五、產品使用方法

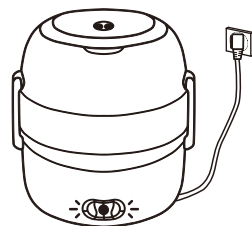
1. 產品基本操作指南



①將插頭連接至電源插座



②輕按電源開關



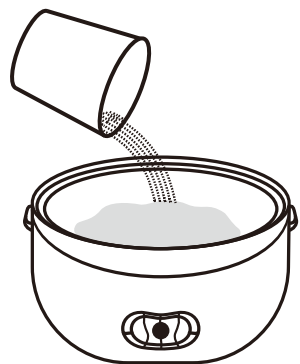
③確認指示燈亮起，
表示電源啟動

溫馨小貼士：

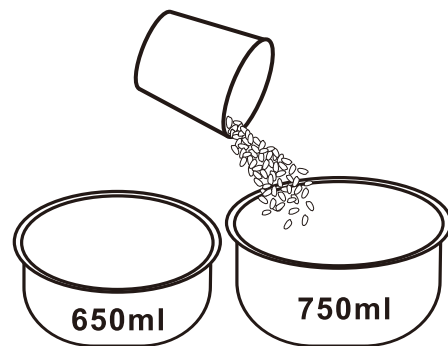
當主機底座內的水分蒸發至一定程度，本產品將自動關閉。指示燈將熄滅，表示烹飪已完成，您可以享受美食，或在需要時添加水以避免乾燒。

2. 烹煮功能操作指南

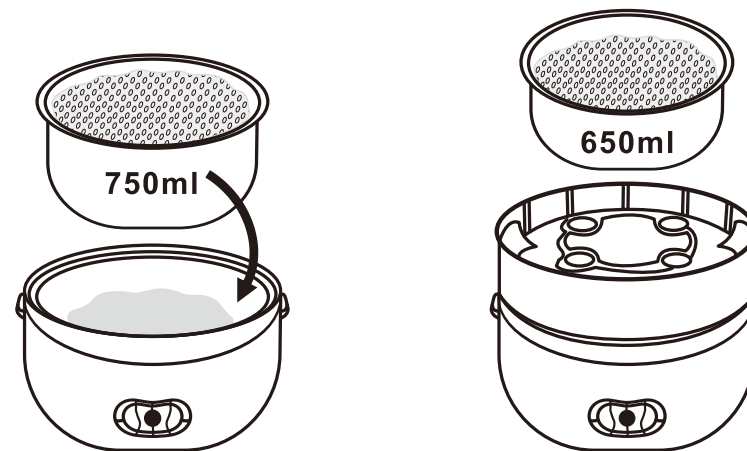
1). 煮飯/熱菜



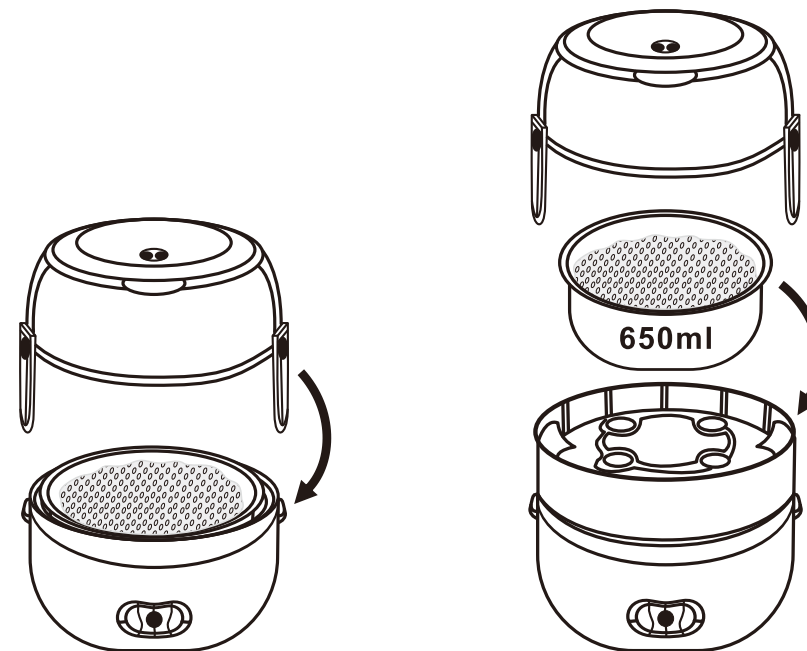
①請使用本產品附贈的量杯，將適當的水量倒入主機底座中。
(有關水量與烹飪時間，請參閱烹飪指南)



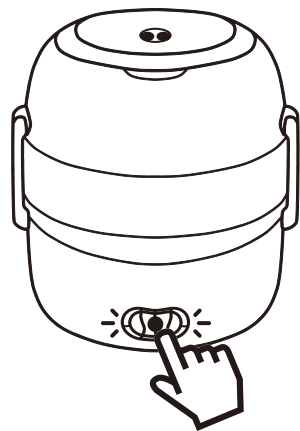
②請將米或食材放入食物盒內。
(請先移除食物盒的密封蓋。)



③請將食物和放入產品主機。
若同時使用兩個食物盒，請將750毫升食物盒放在底部，650毫升食物盒則放置於蒸架上，再將食物盒放入產品主機中。

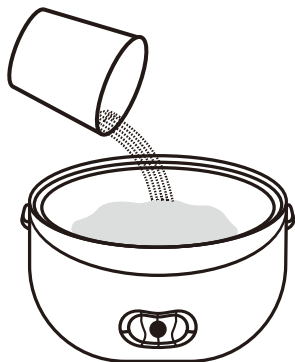


④請蓋上頂蓋並確實扣緊。

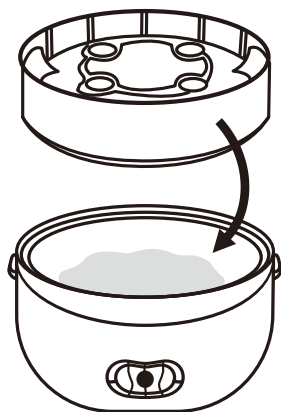


⑤ 按下開關鍵，當燈光亮起時，即表示產品已經開始運作。

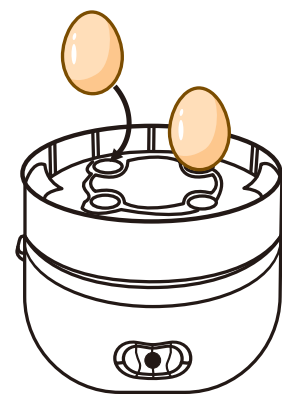
2). 蒸蛋



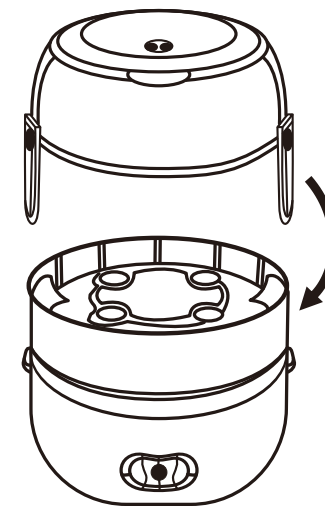
① 請使用本產品附贈的量杯，將適當的水量倒入主機底座中。
(有關水量與烹飪時間，請參閱烹飪指南。)



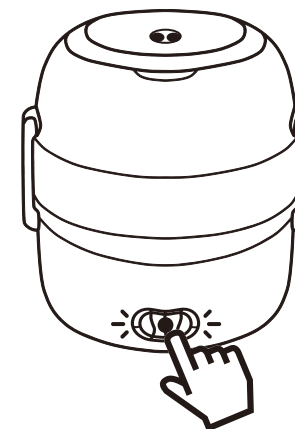
② 請將蒸架放在主機上，並注意把蛋架朝上。



③ 請將蛋放在蛋架上，並將蛋架放置在4個圈圈上。



④ 請蓋上頂蓋，確保頂蓋完全扣緊。



⑤ 按下開關鍵，當燈光亮起時，即表示產品已經開始運作。

3).食物盒操作指南

由於食物容器具有高度的密封性和真空效果，因此在使用時請注意以下事項：




①請於使用前，先按下"Push"按鍵，開啟透氣孔，然後再打開飯盒蓋。



②在將食物放入飯盒後，請蓋上飯盒蓋，然後再關閉透氣孔。

六、保養和維護

- 1.使用完本產品後，請務必拔除電源插頭。
- 2.清洗食物容器、頂蓋、送菜盤等部分時，請避免使用硬毛刷，以防刮傷表面。
- 3.切勿將主機浸泡於水或其他液體中，也不應使用自來水沖洗。請使用濕布清潔主機外部。
- 4.若產品將長時間不使用，請將其清潔乾淨，然後存放在乾燥的地方。
- 5.食物容器採用SUS304不銹鋼製成。食物容器經過多次使用後，可能出現些微氧化或輕微鏽跡，這是正常現象。您可以使用白醋清潔食物容器，然後充分沖洗。
- 6.食物容器（食物蓋除外）適用於洗碗機清洗。但請勿將本產品的其他零部件放入洗碗機清洗。
7.  產品長期不使用時，請清潔乾淨後，裝入包裝箱中，應存放於通風乾燥的地方，以免受潮，影響使用。

七、烹煮時間水量參考表

	加熱冷飯菜	煮飯	煮雞蛋	魚類	肉類	蔬菜
食材份量	添滿食物盒	170克(白米)	4顆雞蛋	130克	100克	80克
食材與食物盒需加水量(毫升)	N/A	260毫升	N/A	N/A	N/A	N/A
產品主機底座加水量(毫升)	80毫升	160毫升	40毫升	260毫升	260毫升	260毫升
料理時間	20-30分鐘	30-40分鐘	15分鐘	25分鐘	25分鐘	25分鐘
備註		烹飪完成後，請等待指示燈熄滅，然後將食物容器打開，靜置10分鐘。				椰菜

溫馨小貼士:

在加熱或烹飪飯菜時，請務必取出食物蓋。使用頂蓋或食物盒蓋進行烹飪。而在燉煮蛋類時，建議使用頂蓋。

八、常見問題分析

1.當指示燈不亮，可能出現以下幾種情況。請根據以下原因進行相應的解決方法：

- 1)確認是否通電。
- 2)確認電源插座是否正常通電。
- 3)確認是否已按下電源開關。
- 4)若水已蒸發且處於防過熱狀態時

2.當食物過熟或未熟，可能出現以下幾種情況。請根據以下原因進行相應的解決方法：

- 1)若產品主機底座的水過多，請減少水量。
- 2)若產品主機底座的水過少，請增加水量。
- 3)若發熱板上有水垢，請進行清理處理。

X. 12 Month Warranty

In Australia our goods come with guarantees that cannot be excluded under the Australian Consumer Law. You are entitled to a replacement or refund for a major failure and for compensation for any other reasonably foreseeable loss or damage. You are also entitled to have the goods repaired or replaced if the goods fail to be of acceptable quality and the failure does not amount to a major failure.

In New Zealand our goods come with guarantees that cannot be excluded under the Consumer Guarantees Act 1993. So, as well as your statutory rights referred to above and any other rights and remedies you may have under any other laws relating to your Kylin product, we also provide you with a Kylin warranty. It's important to note that this warranty is valid only in the country of purchase.

Kylin guarantees this product against defects caused by faulty workmanship and materials for 12 months domestic use (or 3 months commercial use) from the date of purchase. During this warranty period, Kylin will repair any defective product. If the product includes a number of accessories, only the defective part or accessory will be replaced. Kylin reserves the right to make minor adjustments instead of replacing the product or accessory. Packaging, instructions, recipes etc will also not be replaced unless faulty.

In the event of a product or accessory being replaced during the warranty period, the warranty on the replacement product will expire 12 months from the purchase date of the original product, not 12 months from the date of the replacement.

To the extent permitted by law, this Kylin 12 months warranty excludes liability for consequential loss or any other loss or damage caused to property or persons arising from any cause whatsoever. It also excludes defects caused by the product not being used in accordance with Instructions, accidental damage, misuse, or being tampered with by unauthorised persons, excludes breakables such as glass and ceramic items, consumable items and normal wear and tear and does not cover the cost of claiming under the warranty or transporting the goods to and from the place of purchase.

Should you suspect your product may be defective and need some clarification or advice, or you have any questions, ideas, or concerns, please contact us directly on:

Kylin Customer Service Australia +61 (0) 3 9988 3693

If you're certain your product is defective, and the product is covered by the terms of this warranty, you need to take the defective product back to the place you purchased it from, where the retailer will replace the product for you on our behalf. In this event, per the terms of this Kylin 12 month warranty, you will need to present this portion of the warranty page and the purchase receipt as proof of purchase so please make sure you keep both this page and your receipt on hand for the duration of the warranty period.

And if for any reason you wish to contact us, please do so at:

Kylin Customer Service Australia +61 (0) 3 9988 3693